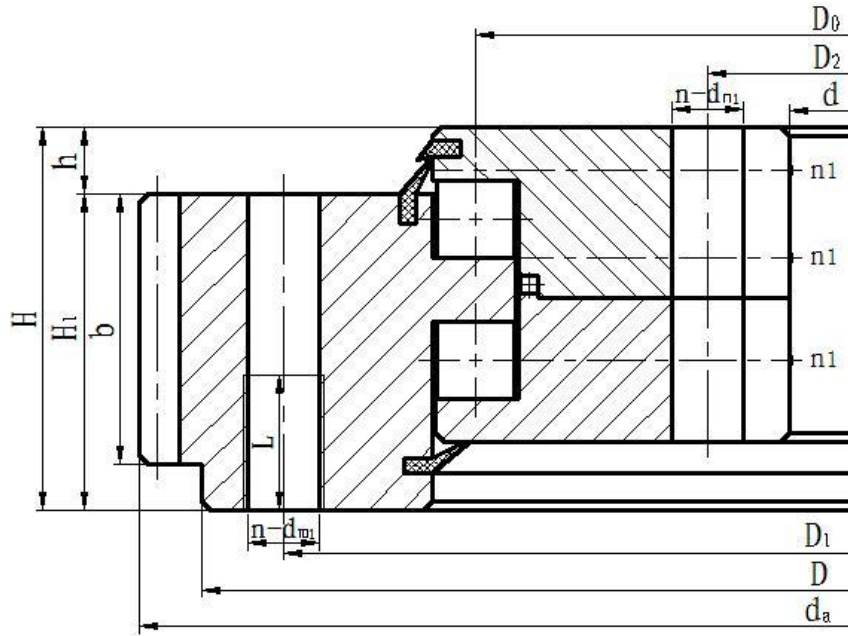


### 13 系列三排滚柱式回转支承 (JB/T2300-1999)

#### 13 Series Triple-Row Roller Type Slewing Rings(JB/T2300-1999)

#### Outer Gear Type 外齿型



- |   |  |
|---|--|
| <p>(1)--回转支承型式 Model of Slewing Ring<br/>13: 三排滚柱式 Triple-row Roller Type</p> <p>(2)--齿轮传动型号 Gear Type<br/>0: 无齿, No Gear<br/>1: 正常, 外齿 Normal, Outer Gear<br/>2: 大模数, 外齿 Large Module, Outer Gear<br/>3: 正常, 内齿 Normal, Inner Gear<br/>4: 大模数, 内齿 Large Module, Inner Gear</p> <p>(3)--滚动体直径 Roller Diameter, mm<br/>(4)--滚道中心直径 Raceway PCD, mm</p> | <p>(5)--安装配合型式 Installation Fitting Type<br/>0: 无止口型 No fitting circle 1: 有止口型 With fitting circle<br/>2: 特殊型 Special</p> <p>(6)--安装孔型式 Mounting Hole Type<br/>0: 内外圈都为通孔 Through Holes for Both Rings<br/>1: 内外圈都为螺纹孔 Threaded Holes for Both Rings<br/>2: 外圈为通孔, 内圈为螺纹孔 Outer Ring with Through Holes, Inner Ring with Threaded Holes<br/>3: 外圈为螺纹孔, 内圈为通孔 Outer Ring with Threaded Holes, Inner Ring with Through Holes</p> |
|---|--|

No. 序号	Model 型号	Overall dimensions 外形尺寸			Mounting hole dimensions 安装孔尺寸						Structural dimensions 结构尺寸			Gear parameters 齿轮参数				Weight 重量
		D	d	H	D <sub>1</sub>	D <sub>2</sub>	d <sub>n1</sub> d <sub>n2</sub>	d <sub>m1</sub> d <sub>m2</sub>	L	N	n <sub>1</sub>	H <sub>1</sub>	h	b	m	d <sub>a</sub>	z	
1	131.25.500	634	366	148	598	402	18	M16	32	24	4	138	32	80	5	664	130	224
	6														664.8	108		
2	131.25.560	694	426	148	658	462	18	M16	32	24	4	138	32	80	5	724	142	240

	132.25.560														6	724.8	118	
3	131.25.630	764	496	148	728	532	18	M16	32	28	4	138	32	80	6	808.8	132	270
	8														806.4	98		
4	131.25.710	844	576	148	808	612	18	M16	32	28	4	138	32	80	6	886.8	145	300
	8														886.4	108		
5	131.32.800	964	636	182	920	680	22	M20	40	36	4	172	40	120	8	1006.4	123	500
	10														1008	98		
6	131.32.900	1064	736	182	1020	780	22	M20	40	36	4	172	40	120	8	1102.4	135	600
	10														1108	108		
7	131.32.1000	1164	836	182	1120	880	22	M20	40	40	5	172	40	120	10	1218	119	680
	12														1221.6	99		
8	131.32.1120	1284	956	182	1240	1000	22	M20	40	40	5	172	40	120	10	1338	131	820
	12														1341.6	109		
9	131.40.1250	1445	1055	220	1393	1107	26	M24	48	45	5	210	50	150	12	1509.6	123	1200
	14														1509.2	105		
10	131.40.1400	1595	1205	220	1543	1257	26	M24	48	45	5	210	50	150	12	1665.6	136	1300
	14														1663.2	116		
11	131.40.1600	1795	1405	220	1743	1457	26	M24	48	48	6	210	50	150	14	1873.2	131	1520
	16														1868.8	114		
12	131.40.1800	1995	1605	220	1943	1657	26	M24	48	48	6	210	50	150	14	2069.2	145	1750
	16														2076.8	127		
13	131.45.2000	2221	1779	231	2155	1845	33	M30	60	60	6	219	54	160	16	2300.8	141	2400
	18														2300.4	125		
14	131.45.2240	2461	2019	231	2395	2085	33	M30	60	60	6	219	54	160	16	2556.8	157	2700
	18														2552.4	139		
15	131.45.2500	2721	2279	231	2655	2345	33	M30	60	72	8	219	54	160	18	2822.4	154	3000
	20														2816	138		
16	131.45.2800	3021	2579	231	2955	2645	33	M30	60	72	8	219	54	160	18	3110.4	170	3400
	20														3116	153		
17	131.50.3150	3432	2868	270	3342	2958	45	M42	84	72	8	258	65	180	20	3536	174	5000
	22														3537.6	158		
18	131.50.3550	3832	3268	270	3742	3358	45	M42	84	72	8	258	65	180	20	3936	194	5600
	22														3933.6	176		

19	131.50.4000	4282	3718	270	4192	3808	45	M42	84	80	8	258	65	180	22	4395.6	197	6400
	132.50.4000														25	4395	173	
20	131.50.4500	4782	4218	270	4692	4308	45	M42	84	80	8	258	65	180	22	4901.6	220	7100
	132.50.4500														25	4895	193	

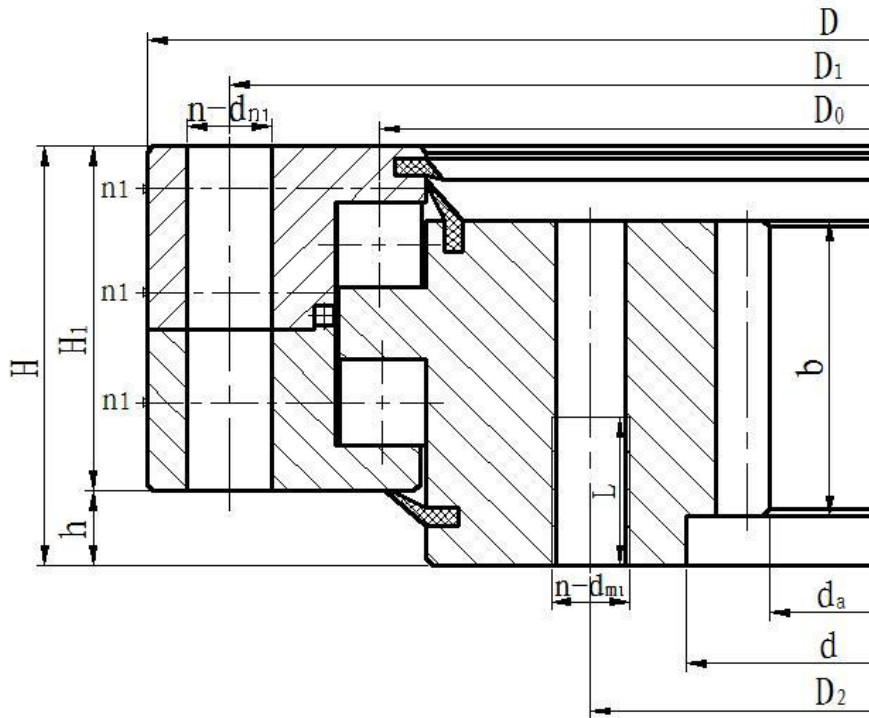
Remark

1. 安装配合型式和安装孔型式在基本型号中未给出，用户可根据要求选择。Specific requirements considered, users can choose proper mounting hole's type and fitting type.

2. 齿轮为标准直齿渐开线圆柱齿轮，径向变位系数  $x$  一般为+0.5。对于单排四点接触球式滚道中心圆直径为 150-450mm 的回转支承，齿轮径向变位系数  $x$  一般为 0。The gear is a standard straight-tooth involute cylindrical gear, and its radial modification coefficient  $x$  is generally +0.5. For single-row four-point contact ball slewing ring, its diameter of raceway is between 150-450mm, and the radial modification coefficient of the gear  $x$  is usually 0.

13 Series Triple-Row Roller Type Slewing Rings(JB/T2300-1999)

Inner Gear Type 内齿型



- |  |  |
|--|--|
| <p>(1)--回转支承型式 Model of Slewing Ring<br/>13: 三排滚柱式 Triple-row Roller Type</p> <p>(2)--齿轮传动型号 Gear Type<br/>0: 无齿, No Gear<br/>1: 正常, 外齿 Normal, Outer Gear<br/>2: 大模数, 外齿 Large Module, Outer Gear<br/>3: 正常, 内齿 Normal, Inner Gear<br/>4: 大模数, 内齿 Large Module, Inner Gear</p> <p>(3)--滚动体直径 Roller Diameter, mm</p> <p>(4)--滚道中心直径 Raceway PCD, mm</p> | <p>(5)--安装配合型式 Installation Fitting Type<br/>0: 无止口型 No fitting circle 1: 有止口型 With fitting circle<br/>2: 特殊型 Special</p> <p>(6)--安装孔型式 Mounting Hole Type<br/>0: 内外圈都为通孔 Through Holes for Both Rings<br/>1: 内外圈都为螺纹孔 Threaded Holes for Both Rings<br/>2: 外圈为通孔, 内圈为螺纹孔 Outer Ring with Through Holes, Inner Ring with Threaded Holes<br/>3: 外圈为螺纹孔, 内圈为通孔 Outer Ring with Threaded Holes, Inner Ring with Through Holes</p> |
|--|--|

No. 序号	Model 型号	Overall dimensions 外形尺寸			Mounting hole dimensions 安装孔尺寸						Structural dimensions 结构尺寸			Gear parameters 齿轮参数				Weight 重量
		D	d	H	D <sub>1</sub>	D <sub>2</sub>	d <sub>n1</sub> d <sub>n2</sub>	d <sub>m1</sub> d <sub>m2</sub>	L	N	n <sub>1</sub>	H <sub>1</sub>	h	b	m	d <sub>a</sub>	z	
1	133.25.500	634	366	148	598	402	18	M16	32	24	4	138	32	80	5	337	68	224
	6														338.4	57		
2	133.25.560	694	426	148	658	462	18	M16	32	24	4	138	32	80	5	397	80	240
	6														398.4	67		

3	133.25.630	764	496	148	728	532	18	M16	32	28	4	138	32	80	6	458.4	77	270
	8														459.2	58		
4	133.25.710	844	576	148	808	612	18	M16	32	28	4	138	32	80	6	536.4	90	300
	8														539.2	68		
5	133.32.800	964	636	182	920	680	22	M20	40	36	4	172	40	120	8	595.2	75	500
	10														594	60		
6	133.32.900	1064	736	182	1020	780	22	M20	40	36	4	172	40	120	8	691.2	87	600
	10														694	70		
7	133.32.1000	1164	836	182	1120	880	22	M20	40	40	5	172	40	120	10	784	79	680
	12														784.8	66		
8	133.32.1120	1284	956	182	1240	1000	22	M20	40	40	5	172	40	120	10	904	91	820
	12														904.8	76		
9	133.40.1250	1445	1055	220	1393	1107	26	M24	48	45	5	210	50	150	12	988.8	83	1200
	14														985.6	71		
10	133.40.1400	1595	1205	220	1543	1257	26	M24	48	45	5	210	50	150	12	1144.8	96	1300
	14														1139.6	82		
11	133.40.1600	1795	1405	220	1743	1457	26	M24	48	48	6	210	50	150	14	1335.6	96	1520
	16														1334.4	84		
12	133.40.1800	1995	1605	220	1943	1657	26	M24	48	48	6	210	50	150	14	1531.6	110	1750
	16														1526.4	96		
13	133.45.2000	2221	1779	231	2155	1845	33	M30	60	60	6	219	54	160	16	1702.4	107	2400
	18														1699.2	95		
14	133.45.2240	2461	2019	231	2395	2085	33	M30	60	60	6	219	54	160	16	1926.4	121	2700
	18														1933.2	108		
15	133.45.2500	2721	2279	231	2655	2345	33	M30	60	72	8	219	54	160	18	2185.2	122	3000
	20														2188	110		
16	133.45.2800	3021	2579	231	2955	2645	33	M30	60	72	8	219	54	160	18	2491.2	139	3400
	20														2488	125		
17	133.50.3150	3432	2868	270	3342	2958	45	M42	84	72	8	258	65	180	20	2768	139	5000
	22														2758.8	126		
18	133.50.3550	3832	3268	270	3742	3358	45	M42	84	72	8	258	65	180	20	3168	159	5600
	22														3154.8	144		
19	133.50.4000	4282	3718	270	4192	3808	45	M42	84	80	8	258	65	180	22	3616.8	165	6400

	134.50.4000														25	3610	145	
20	133.50.4500	4782	4218	270	4692	4308	45	M42	84	80	8	258	65	180	22	4122.8	188	7100
	134.50.4500														25	4110	165	

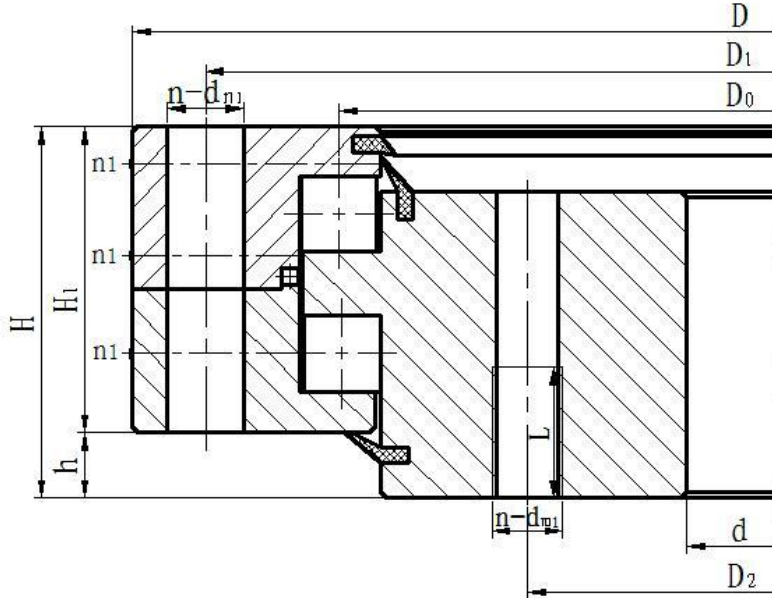
Remark

1. 安装配合型式和安装孔型式在基本型号中未给出，用户可根据要求选择。Specific requirements considered, users can choose proper mounting hole's type and fitting type.

2. 齿轮为标准直齿渐开线圆柱齿轮，径向变位系数  $x$  一般为+0.5。对于单排四点接触球式滚道中心圆直径为 150-450mm 的回转支承，齿轮径向变位系数  $x$  一般为 0。The gear is a standard straight-tooth involute cylindrical gear, and its radial modification coefficient  $x$  is generally +0.5. For single-row four-point contact ball slewing ring, its diameter of raceway is between 150-450mm, and the radial modification coefficient of the gear  $x$  is usually 0.

13 Series Triple-Row Roller Type Slewing Rings(JB/T2300-1999)

Non-Gear Type 无齿型



(1)--回转支承型式 Model of Slewing Ring

13: 三排滚柱式 Triple-row Roller Type

(2)--齿轮传动型号 Gear Type

0: 无齿, No Gear

1: 正常, 外齿 Normal, Outer Gear

2: 大模数, 外齿 Large Module, Outer Gear

3: 正常, 内齿 Normal, Inner Gear

4: 大模数, 内齿 Large Module, Inner Gear

(3)--滚动体直径 Roller Diameter, mm

(4)--滚道中心直径 Raceway PCD, mm

(5)--安装配合型式 Installation Fitting Type

0: 无止口型 No fitting circle 1: 有止口型 With fitting circle

2: 特殊型 Special

(6)--安装孔型式 Holes

0: 内外圈都为通孔 Through Holes for Both Rings

1: 内外圈都为螺纹孔 Threaded Holes for Both Rings

2: 外圈为通孔, 内圈为螺纹孔 Outer Ring with Through Holes,

Inner Ring with Threaded Holes

3: 外圈为螺纹孔, 内圈为通孔 Outer Ring with Threaded Holes,

Inner Ring with Through Holes

No. 序号	Model 型号	Overall dimensions 外形尺寸			Mounting hole dimensions 安装孔尺寸						Structural dimensions 结构尺寸			Weight 重量
		D	d	H	D <sub>1</sub>	D <sub>2</sub>	d <sub>n1</sub> d <sub>n2</sub>	d <sub>m1</sub> d <sub>m2</sub>	L	N	n <sub>1</sub>	H <sub>1</sub>	h	
1	130.25.500	634	366	148	598	402	18	M16	32	24	4	138	32	224
2	130.25.560	694	426	148	658	462	18	M16	32	24	4	138	32	240
3	130.25.630	764	496	148	728	532	18	M16	32	28	4	138	32	270
4	130.25.710	844	576	148	808	612	18	M16	32	28	4	138	32	300
5	130.28.800	964	636	182	920	680	22	M20	40	36	4	172	40	500

6	130.28.900	1064	736	182	1020	780	22	M20	40	36	4	172	40	600
7	130.28.1000	1164	836	182	1120	880	22	M20	40	40	5	172	40	680
8	130.28.1120	1284	956	182	1240	1000	22	M20	40	40	5	172	40	820
9	130.32.1250	1445	1055	220	1393	1107	26	M24	48	45	5	210	50	1200
10	130.32.1400	1595	1205	220	1543	1257	26	M24	48	45	5	210	50	1300
11	130.32.1600	1795	1405	220	1743	1457	26	M24	48	48	6	210	50	1520
12	130.32.1800	1995	1605	220	1943	1657	26	M24	48	48	6	210	50	1750
13	130.40.2000	2221	1779	231	2155	1845	33	M30	60	60	6	219	54	2400
14	130.40.2240	2461	2019	231	2395	2085	33	M30	60	60	6	219	54	2700
15	130.40.2500	2721	2279	231	2655	2345	33	M30	60	72	8	219	54	3000
16	130.40.2800	3021	2579	231	2955	2645	33	M30	60	72	8	219	54	3400
17	130.50.3150	3432	2868	270	3342	2958	45	M42	84	72	8	258	65	5000
18	130.50.3550	3832	3268	270	3742	3358	45	M42	84	72	8	258	65	5600
19	130.50.4000	4282	3718	270	4192	3808	45	M42	84	80	8	258	65	6400
20	130.50.4500	4782	4218	270	4692	4308	45	M42	84	80	8	258	65	7100

## Remark

1. 安装配合型式和安装孔型式在基本型号中未给出，用户可根据要求选择。 Specific requirements considered, users can choose proper mounting hole's type and fitting type.